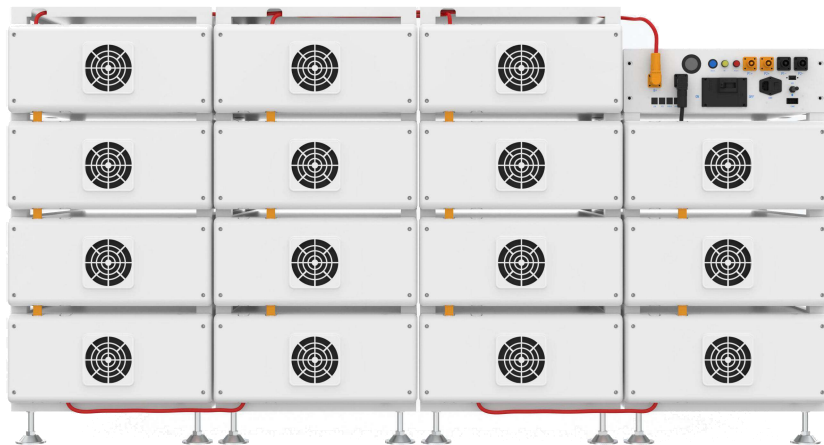


Installation and Operation Instructions



# LITHIUM STORAGE SYSTEM BOS-B



Version: V1.3

# CONTENT

1. Important information in the manual .....	2
1.1 Scope .....	2
1.2 Description of BOS-B .....	2
1.3 Meaning of Symbols .....	3
1.4 General Safety Information .....	5
1.5 Disclaimer .....	5
1.6 Installation environment .....	6
1.7 Quality Certificate .....	7
1.8 Requirements for Installation Personnel .....	7
2. Safety .....	8
2.1 Safety rules .....	8
2.2 Safety information .....	8
3. Transport to the end customers .....	9
3.1 Provisions on Shipping of Battery Modules: .....	9
3.2 Storage Position of the battery packaging module .....	11
4. Description and installation of BOS-B battery .....	11
4.1 Installation Precautions .....	11
4.2 BOS-B Product Description .....	11
4.3 Technical Data .....	12
4.4 Preparation .....	13
4.4.1 Tools required .....	13
4.5 Description of Battery Module .....	14
4.6 Description of High-Voltage Control Box .....	15
4.7 Description of Battery Module in Rack .....	16
4.7.1 Battery Pack .....	16
4.7.2 High Voltage Control Box .....	16
4.7.3 Accessory Bag .....	17
4.8 Assembly process .....	20
4.9 Installation of the Battery Module to the Rack .....	21
4.9.1 Cable connection .....	22
4.9.2 Battery installation cable Description .....	22
4.10 Battery cluster connected to inverter .....	23
4.11 System startup and shutdown .....	27
4.12 How to use local mode with BOS-B (Battery)? .....	28
5. BOS-B' fault description .....	31
6. BOS-B screen displays the logic .....	34
7. Maintenance and upgrade .....	37
7.1 Maintenance of BOS-B .....	38
7. Battery Module Storage .....	39
8. Disposal .....	39
9. Legal notice .....	40
10. EU Declaration of Conformity .....	41

# 1.Important information in the manual

## 1.1 Scope

The installation and operation manual applies to the modular battery energy storage system. Please carefully read this installation and operation manual to ensure the safe installation, preliminary debugging, and maintenance of BOS-B. Installation, preliminary debugging, and maintenance must be carried out by qualified and authorized personnel. Please keep this installation and operation manual and other applicable documents near the battery energy storage system, so that all personnel involved in installation or maintenance can access this installation and operation manual at any time.

This installation and operation manual only applies to countries meeting the certification requirements. Please observe the applicable local laws, regulations, and standards. Standards and legal provisions of other countries may be inconsistent with the provisions and specifications in this manual. In this case, please contact our after-sales service personnel, hotline: +86 0574 8612 0560, email: [service-ess@deye.com.cn](mailto:service-ess@deye.com.cn).

## 1.2 Description of BOS-B

Model	System energy (kWh)	Rated DC power (kW)	Discharge depth	Composition
BOS-B70	71.5	43	90%	BOS-B-Pack14.3*5+BOS-B-PDU-2 *1
BOS-B85	85.8	51.61	90%	BOS-B-Pack14.3*6+BOS-B-PDU-2 *1
BOS-B100	100.1	60.21	90%	BOS-B-Pack14.3*7+BOS-B-PDU-2 *1
BOS-B110	114.4	68.81	90%	BOS-B-Pack14.3*8+BOS-B-PDU-2 *1
BOS-B125	128.7	77.41	90%	BOS-B-Pack14.3*9+BOS-B-PDU-2 *1
BOS-B140	143	86.02	90%	BOS-B-Pack14.3*10+BOS-B-PDU-2 *1
BOS-B155	157.3	94.62	90%	BOS-B-Pack14.3*11+BOS-B-PDU-2 *1
BOS-B170	171.6	103.22	90%	BOS-B-Pack14.3*12+BOS-B-PDU-2 *1
BOS-B185	185.9	111.82	90%	BOS-B-Pack14.3*13+BOS-B-PDU-2 *1
BOS-B200	200.2	120.42	90%	BOS-B-Pack14.3*14+BOS-B-PDU-2 *1
BOS-B215	214.5	129.02	90%	BOS-B-Pack14.3*15+BOS-B-PDU-2 *1

## 1.3 Meaning of Symbols

This manual contains the following types of warnings:



**Danger!** It may cause an electric shock.

Even when the equipment is disconnected from the power grid, the voltage-free state will have a time lag.



**Danger!** If the instructions are not observed, death or severe injury may occur.



**Warning!** If the instructions are not observed, a loss may occur.



**Attention!** This symbol represents information on the device use.

### Symbols on equipment:

The following types of warning, prohibition, and mandatory symbols are also used on the equipment.



**Attention! The risk of chemical burns**

If the battery is damaged or fails, it may lead to electrolyte leakage, which in turn causes the formation of a small amount of hydrofluoric acid, among other effects. Contact with these liquids can cause chemical burns.

- Do not subject the battery module to severe impact.
- Do not open, disassemble or mechanically change the battery module.
- In case of contact with an electrolyte, wash the affected area with clean water immediately and seek medical advice promptly.



**Attention! The risk of explosion**

Incorrect operation or fire may cause the lithium-ion battery unit to ignite or explode, leading to serious injury.

- Do not install or operate the battery module in explosive or high-humidity areas.

- Store the battery module in a dry place within the temperature range specified in the data sheet.
- Do not open, drill through or drop the battery cell or module.
- Do not expose the battery cell or module to high temperatures.
- Do not throw the battery cell or module into the fire.
- When the lithium battery catches fire after being plugged in with AC power, unplug the power supply first to prevent electric shock during fire fighting.
- If there is an open flame, use carbon dioxide or ABC dry powder fire extinguisher to put out the fire, and then cool down by using the nearby fire hydrant or pouring water until no white smoke appears and the battery is completely cooled down. After extinguishing the fire, continue to monitor the battery for at least 1 hour to prevent re-ignition.
- If there is no open flame but a large amount of white smoke comes out of the battery, it is recommended to use a 6L portable water-based fire extinguisher (if any), and then cool down by using the nearby fire hydrant or pouring water until no white smoke appears and the battery is completely cooled down. After extinguishing the fire, continue to monitor the battery for at least 1 hour to prevent re-ignition.
- Do not use defective or damaged battery modules.



**Caution! Hot surface**

- If a malfunction occurs, the parts will become very hot, and touching them may cause serious injury.
- If the energy storage system is defective, please shut it down immediately.
- If the fault or defect becomes obvious, special care should be taken when handling the equipment.



**No open fire!** It is prohibited to handle open flames and ignition sources near the energy storage system.



**Do not insert any objects into the opening in the housing of the energy storage system!**

No objects, such as screwdrivers, may be inserted through openings in the casing of the storage system.



**Wear safety goggles!** Wear safety goggles when working on the equipment.



**Follow the manual!** When working and operating the equipment, the installation and operation manual provisions must be observed.

## 1.4 General Safety Information



**Danger!** Failure to comply with the safety information can lead to life-threatening situations.

1. Improper use can cause death. Operators of BOS-B must read this manual and observe all safety information.
2. Operators of BOS-B must comply with the specifications in this manual.
3. This manual cannot describe all conceivable situations. For this reason, applicable standards and relevant occupational health and safety regulations are always given priority.
4. In addition, the installation may involve residual hazards in the following circumstances:
  - Incorrect installation.
  - The installation is carried out by personnel who did not receive relevant training or guidance.
  - Failure to observe the warnings and safety information in this manual.

**If there are any questions, please contact Deye after service.**

## 1.5 Disclaimer

**DEYE ESS TECHNOLOGY CO., LTD shall not be liable for personal injury, property loss, product damage and subsequent losses under the following circumstances.**

- Failure to comply with the provisions of this manual.

- Incorrect use of this product.
- Unauthorized or unqualified personnel repair the product, disassembly the rack and perform other operations.
- Use of unapproved spare parts.
- Unauthorized modifications or technical changes to the product.

## **1.6 Installation environment**

- The battery energy storage system can only be installed and operated in an enclosed space. The working environment temperature range of BOS-B is  $-20^{\circ}\text{C} \sim 55^{\circ}\text{C}$ , and the maximum humidity is 85%. The battery module shall not be exposed to the sun or placed directly beside the heat source.
- The battery module shall not be exposed to a corrosive environment.
- When installing the battery energy storage system, ensure that it stands on a sufficiently dry and flat surface with sufficient bearing capacity. Without the manufacturer's written approval, the installation site's altitude shall not be higher than 3,000 meters. The output power of the battery decreases with the altitude.
- In areas where flooding may occur, care must be taken to ensure that the battery module is installed at a suitable height and to prevent its contact with water.
- The battery energy storage system must be installed in a fireproof room. This room must have no fire source and must be equipped with an independent fire alarm device, which complies with local applicable regulations and standards. According to local applicable regulations and standards, the room must be separated by the T60 fire door. Similar fire-proof requirements apply to other openings in the room (such as windows).

**Compliance with the specifications in this manual is also part of proper use.**

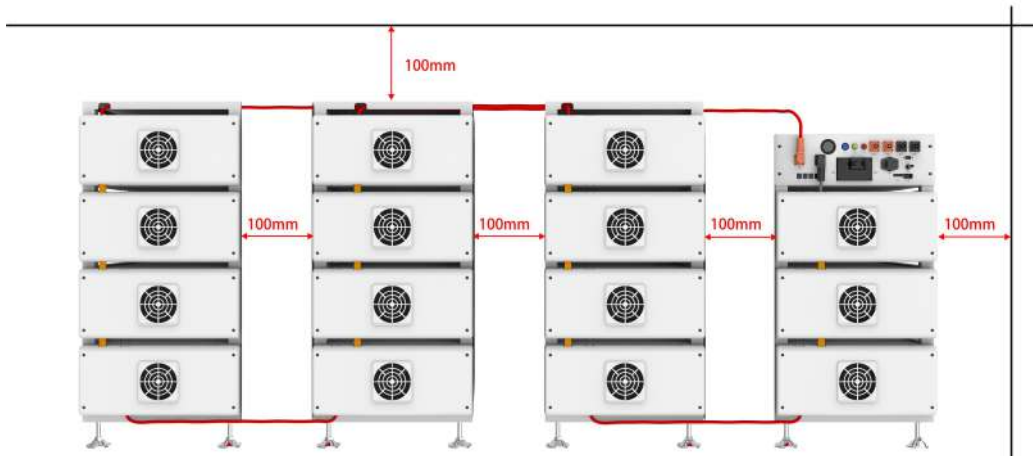
**The use of the BOS-B system is prohibited in the following circumstances:**

- Mobile use on land or in the air (use on water only with the manufacturer's consent and with the manufacturer's written consent).

- Used in medical devices.
- Used as a UPS system.

### Minimum product installation distance

The minimum distance to the surrounding building when the battery is installed is 100mm, and the minimum distance between the two products is 100mm.



## 1.7 Quality Certificate

The quality certificate can be downloaded from [www.deyeess.com](http://www.deyeess.com).

## 1.8 Requirements for Installation Personnel

All work shall comply with local applicable regulations and standards.

The installation of BOS-B can only be completed by electricians with the following qualifications:

- Trained in dealing with hazards and risks associated with the installation and operation of electrical equipment, systems, and batteries.
- Trained on installation and debugging of electrical equipment.
- Understanding and complying with the technical connection conditions, standards, guidelines, regulations, and laws applicable.
- Knowledge of handling lithium-ion batteries (transportation, storage, disposal, hazard source).
- Understanding and complying with this document and other applicable documents.

## 2. Safety

### 2.1 Safety rules

To avoid property damage and personal injury, the following rules shall be followed when working on the hazardous live parts of the battery energy storage system:

- It is available for use.
- Ensure that it will not restart.
- Make sure there is no voltage.
- Grounding protection and short circuit protection
- Cover or shield adjacent live parts.

### 2.2 Safety information

Part damage or short circuit may cause electric shock and death. A short circuit can be caused by connecting battery terminals, resulting in current flow. This type of short circuit shall be avoided under any circumstances. For this reason, follow these instructions:

- Use insulated tools and gloves.
- Do not put any tools or metal parts on the battery module or high-voltage control box.
- When operating the battery, be sure to remove watches, rings, and other metal objects.
- Do not install or operate this system in explosive or high-humidity areas.
- When working on the energy storage system, first turn off the charging controller, then the battery, and ensure that they are not turned on again.

**Improper** use of the battery energy storage system can lead to death. The use of the battery energy storage system beyond its intended use is not allowed, because it may cause great danger.

**Improper** handling of the battery energy storage system can cause life-threatening risks, serious injury or even death.



**Warning!** Improper use can cause damage to the battery cell.

- Do not expose the battery module to rain or soak it in liquid.

- Do not expose the battery module to a corrosive environment (such as ammonia and salt).
- The battery energy storage system shall be debugged no later than six months after delivery.

### 3. Transport to the end customers

#### 3.1 Provisions on Shipping of Battery Modules:

It is necessary to comply with the relevant regulations and provisions on roads for shipping lithium-ion products in the corresponding countries.



It is prohibited to smoke in the vehicle during transportation or in the vicinity during loading and unloading.



The dangerous goods transport vehicles shall meet relevant regulations concerning road transportation and shall be equipped with two tested CO2 fire extinguishers.



It is forbidden for the freight forwarder to open the outer package of the battery module. Use only approved lifting equipment to move the battery cabinet system. Use only the hanging lug on the top of the battery cabinet as the connection point. When lifting, the angle of the sling must be at least 60°.



Improper vehicle transportation can cause injury. Improper transportation or improper transportation locks may cause the load to slip or overturn, resulting in injury. The cabinet shall be placed vertically to prevent it from sliding in the vehicle, and a fixing belt shall be used.



A tilting of the battery rack may cause injury. The maximum weight of a battery rack of BOS-B can reach 1850 kg. When tilted, they may overturn, causing injury and damage. Ensure that the battery cabinet is on a stable surface and that it does not tilt due to load or force.



The battery energy storage system can be damaged, if not properly transported. The battery module can only be transported vertically. Note that these parts may be top-heavy. Failure to follow this instruction may result in damage to the part.



During transportation, the battery storage rack may be damaged when it is installed with the battery module. The battery storage rack is not designed to be transported with the installed battery modules. Always transport the battery module and the battery rack separately. Once the battery module is installed, do not move the battery rack, and do not lift it by a lifting device.



If possible, do not remove the transport packaging before arrival at the installation site. Before removing the transport protector, check if the transport packaging is damaged, and check the impact indicator on the outer packaging of the battery converter. If the impact indicator is triggered, the possibility of transport damage cannot be ruled out.



Improper transportation of battery modules may cause injury. The single battery module weighs 123 kg. If it falls or slips, it may cause injury. Only use suitable transport and lifting equipment to ensure safe transport.



Wear safety shoes to avoid the danger of injury. When transporting the battery rack and battery module, their parts may be crushed due to their heavy weight. Therefore, all persons involved in transportation must wear safety shoes with toe caps. Please observe the safety regulations for transportation at the end customer's site, especially during loading and unloading.



During transportation and installation of unpacked battery storage cabinets, the risk of injury increases, especially on sharp metal panels. Therefore, all personnel involved in transportation and installation must wear protective gloves.

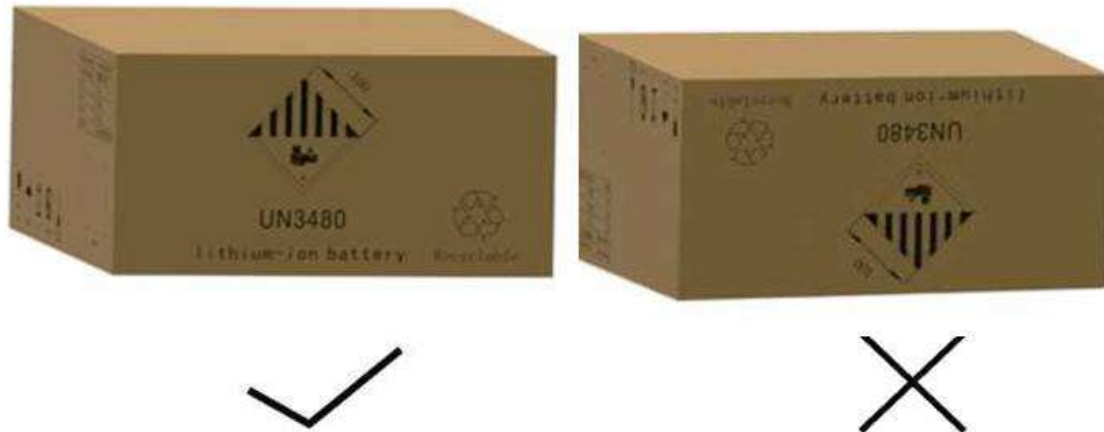


The maximum weight of a single rack of BOS-B can reach 550 kg. We suggest that at least 4 people work together to install the battery rack. The lifting device is helpful for heavy parts, and the pulley or cart for light parts. Be careful not to damage the case. The number of battery modules stacked shall not be more than 4.

**Check whether the delivery is complete.**

### 3.2 Storage Position of the battery packaging module

The battery module can only be transported in an upright position. Please note that the battery rack may be very top-heavy.



## 4. Description and installation of BOS-B battery

### 4.1 Installation Precautions

**STOP** **WARNING! Possible damage to the building due to static overload**

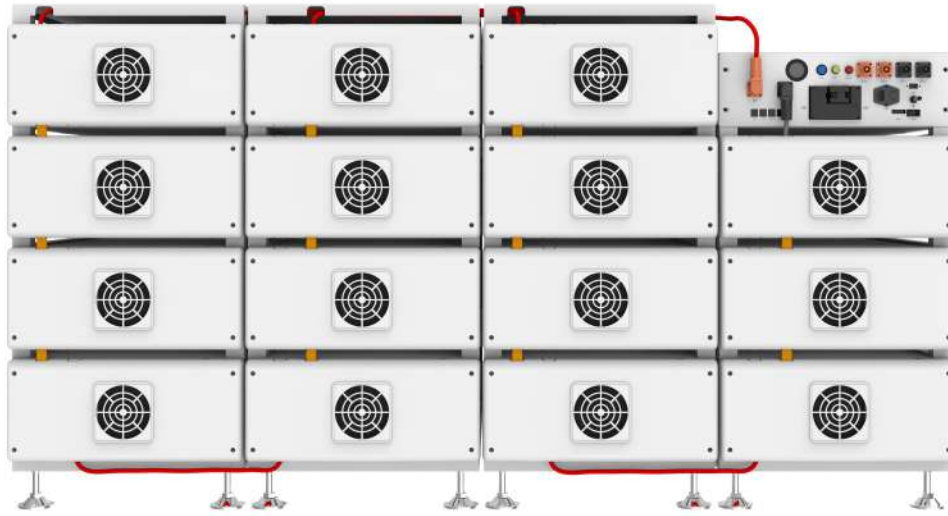
- 1.The total weight of the battery storage system is 1850kg. Ensure that the installation site has sufficient bearing capacity.
- 2.When selecting the installation site, consider the transportation route and necessary site cleanup.

### 4.2 BOS-B Product Description

BOS-B is a high-voltage lithium-ion battery system. It provides a reliable backup power supply for supermarkets, banks, schools, farms and small factories to smooth the load curve and achieve peak load transfer. It can also improve the stability of renewable systems and promote the application of renewable energy.

It is characterized by high integration, good reliability, long service life, wide working temperature range, etc. The battery energy storage system is modular. Each battery module has a capacity of

14.3 kWh. It can support up to 15 battery modules in series. Its total energy can be expanded from 71.5(5×14.3) kWh to 214.5(15×14.3) kWh.



### 4.3 Technical Data

Main Parameter		
Battery Type	BOS-B215	
Battery Module Energy ( kWh )	14.3	
Battery Module Nominal Voltage ( V )	51.2	
Battery Module Capacity ( Ah )	280	
Module Weight Approximate ( kg )	122	
Battery Module Qty In Series ( Optional )	15	
Scalability	5 ~ 15	
System Nominal Voltage ( V )	768	
System Energy ( kWh )	214.5	
System Usable Energy ( kWh )	193.05	
Charge/Discharge	Recommend	140
Current ( A )	Max	168
Other Parameter		
Operating Temperature ( °C )	discharge : -20 ~ 55	

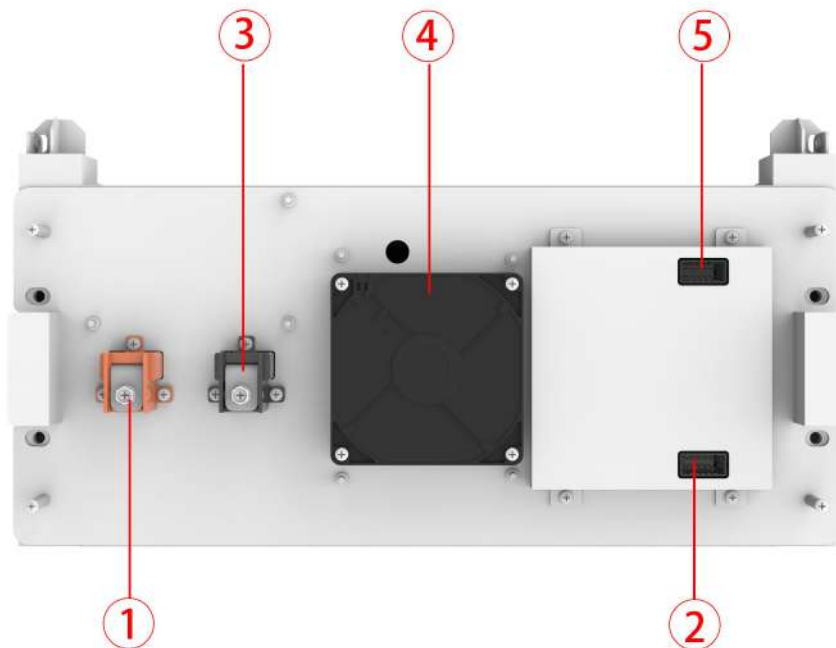
	charge : 0 ~ 55
Storage Temperature ( °C )	0 ~ 35
Thermal Management	Smart fan cooling
LCD Display	SOC / Fault Code
Status Indicator	Yellow : Battery High Voltage Power On Red : Battery System Alarm
Communication Port	TCP / RS485 / CAN
Communication With BMS	CAN
Humidity	5% ~ 85%
Altitude	≤3000m
IP Rating of Enclosure	IP20
Noise ( dB )	65
System Dimension ( W × H × D, mm )	2150 × 1136 × 800
System Weight Approximate ( kg )	1850
Installation Location	Rack Mounted
Recommend Depth of Discharge	90%
Cycle Life	25±2°C, 0.5C / 0.5C, EOL70%≥6000
Warranty Period	10 years
Certification	CE / IEC62619 / IEC62040 / UN38.3

## 4.4 Preparation

### 4.4.1 Tools required

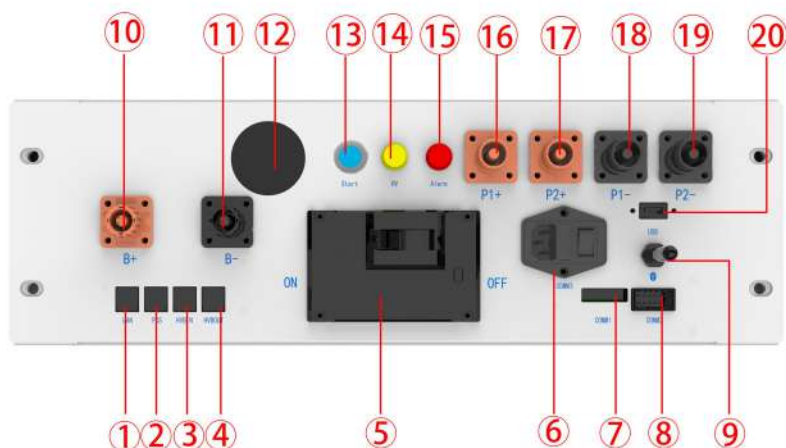
Please prepare No. 8 socket, No. 10 socket and cutting pliers for fastening screws on the side of the cluster holder to lock the power line.

## 4.5 Description of Battery Module



No.	Name	Description
①	B+	Battery module positive pole (orange)
②	COMM2	Connection position of battery module communication and power supply output
③	B-	Battery module negative pole (black)
④	Fan	Ventilation and heat dissipation.
⑤	COMM1	Connection position of battery module communication and power supply input

## 4.6 Description of High-Voltage Control Box

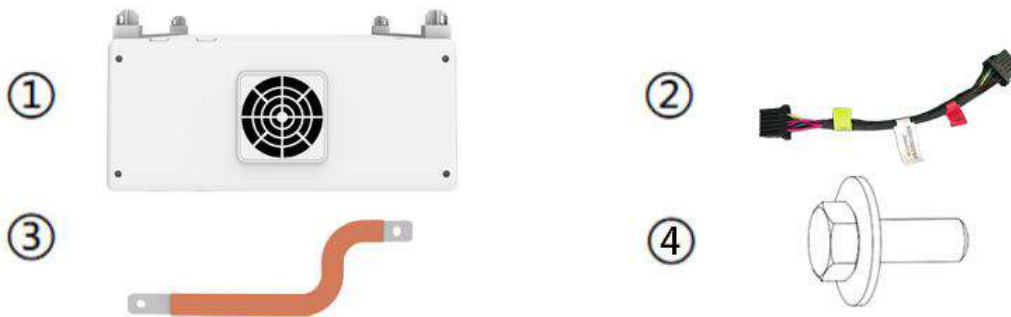


No.	Name	Description
①	Ethernet	Features not yet developed.
②	PCS COM	PCS COM battery communication terminal: used to output battery information to the inverter.
③	IN COM	Connection position with previous BOS-B-PDU-2 communication input.
④	OUT COM	Connection position with next BOS-B-PDU-2 communication output.
⑤	Air switch	It is used to manually control the connection between the battery rack and external devices.
⑥	COMM3	The product must be connected to the auxiliary power input AC200~240V-3A-50~60Hz when used.
⑦	COMM1	Emergency power-off triggered the interface.
⑧	COMM2	Communicative connection with the first battery module; and providing 12VDC power for the first battery module.
⑨	Bluetooth	The mobile APP connects to the data acquisition rod of the energy storage system.
⑩	B+	Battery common positive connection position (red).
⑪	B-	Battery common negative connection position (black).
⑫	Display screen	Display SOC and fault codes.
⑬	START	A start switch of 12VDC power inside the high-voltage control box.
⑭	HV light indicator	High-voltage hazard indicator (yellow).
⑮	ALRM light indicator	Battery system fault alarm indicator (red)Y.
⑯	PCS1+	First PCS positive connection position (orange).

⑰	PCS2+	Second PCS positive terminal connection position (orange).
⑱	PCS1-	First PCS negative connection position (black).
⑲	PCS2-	Second PCS negative connection position (black).
⑳	USB	BMS upgrade port and storage expansion port.

## 4.7 Description of Battery Module in Rack

### 4.7.1 Battery Pack



No.	Description		quantity
①	14.3kWh battery module (general)	Standard	1
②	Communication cable) CAT5E FTP 24AWG black	Standard	1
③	Copper bar	Standard	1
④	Screw	Standard	4

### 4.7.2 High Voltage Control Box



No.	Description		quantity
①	High-voltage control box 1000V/168A	Standard	1

②	Screw	Standard	4
---	-------	----------	---

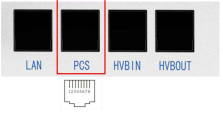
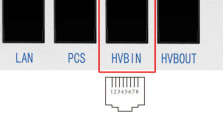

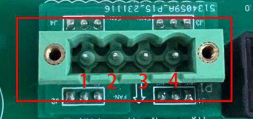
### 4.7.3 Accessory Bag







No.	Description		quantity
-----	-------------	--	----------

①	Pedestal	Standard	3
②	Lid	Standard	4
③	Footed glass	Standard	16
④	Communication cable CAT5E FTP 24AWG black	Standard	1
⑤	180 mm negative power cord of high-voltage control box UL 10269 1AWG black	Standard	1
⑥	Auxiliary power supply cable	Standard	1
⑦	The positive power cord of the high-voltage control box	Standard	1
⑧	Emergency power-off interface	Standard	1
⑨	Connected to external PCS positive power cord (EPCable3.0) UL 10269 1AWG red	Standard	1
⑩	Connected to external PCS negative power cord (ENCable3.0) UL 10269 1AWG black	Standard	1
⑪	1000mm power cable between the two battery racks	Standard	3
⑫	Connected to external inverter communication cable (ECOM Cable2.0)	Standard	1
⑬	1000mm communication cable between the two battery racks	Standard	3
⑭	Light baton	Standard	1
⑮	Ground lead	Standard	4
⑯	120 $\Omega$ terminal resistor	Standard	1
⑰	Terminals that connect the positive and negative terminals of external PCS connectors	Standard	1
⑱	Screw	Standard	16

### Definition of external interfaces on the front panel of the high voltage box

Definition of PCS communication interface		Racks in parallel IN		Racks in parallel OUT		Definition of the COMM1 interface	
1		1	BMS_CANL	1	BMS_CANL		
2		2	BMS_CANH	2	BMS_CANH		
3		3	DI+	3	DO+	3	YL_ZLA
4	PCANH	4	DI-	4	DO-	4	YL_ZLB
5	PCANL	5		5			
6		6		6			
7		7		7			
8		8		8			
							

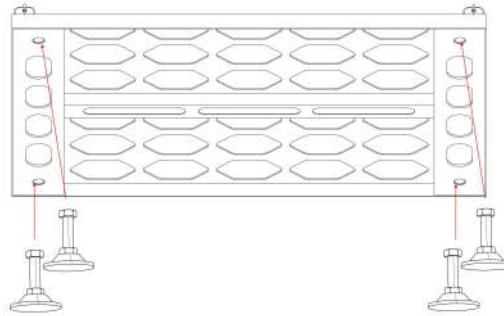
### Defines the external interface of a battery pack

Definition of the battery module interface					
Comm1			Comm2		
1	INT_CANH		1	INT_CANH	
2	DI-		2	DI-	
3	DI+		3	DI+	
4	PGND		4	PGND	
5	FAN-		5	FAN-	
6	INT_CANH		6	INT_CANH	
7	DO+		7	DO+	
8	DI+		8	DI+	
9	BMU_L+		9	BMU_L+	
10	FAN+		10	FAN+	
					
					

## 4.8 Assembly process

Note: At least 4 installers are required to install the product.

1. Twist the base and the four cups together and place them on the ground to level.

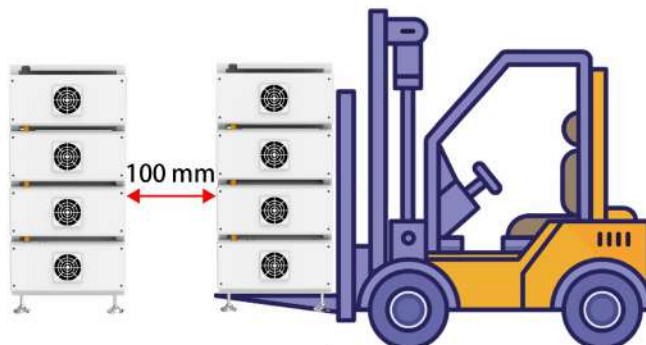
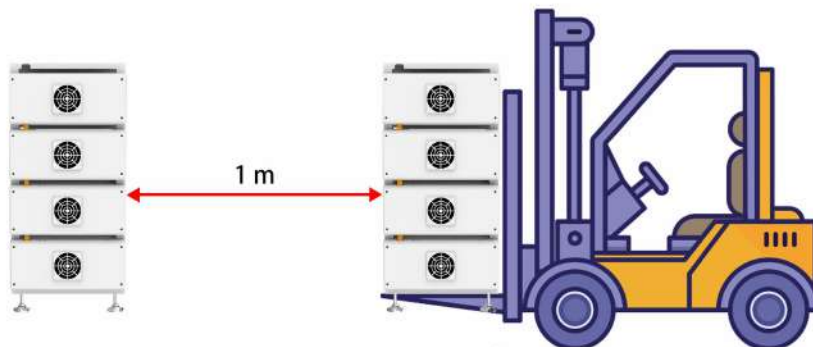


2. Stack four battery packs from bottom to top.

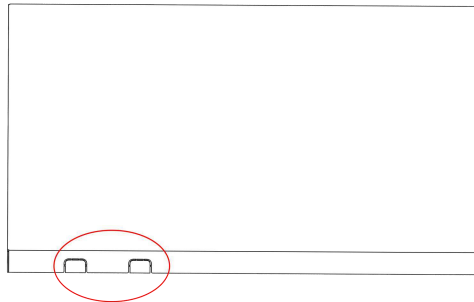
3. Cover top and bottom.

4. After the first battery rack is installed, install the second battery rack 1 meter away from the first battery rack. After the installation, use a forklift to start from the right side of the battery pack and place the second battery rack on the right side of the first battery rack. The middle distance between the two thick battery racks should not be less than 100 mm.

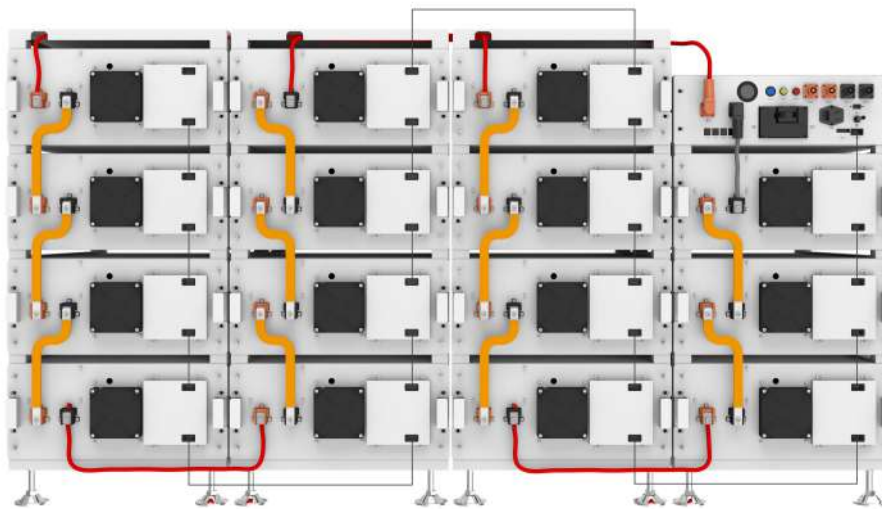
5. Repeat the preceding steps for the third battery rack and the fourth battery rack.



Note: Please cut the corresponding gap according to the wiring harness placement needs.



Connect cables correctly according to the figure.



## 4.9 Installation of the Battery Module to the Rack



Insufficient or no grounding may cause an electric shock. Device malfunctions, and insufficient or no grounding may cause device damage and life-threatening electric shocks.



Note: Before installing the battery, please turn the manual switch of the high-voltage control box to the off position.

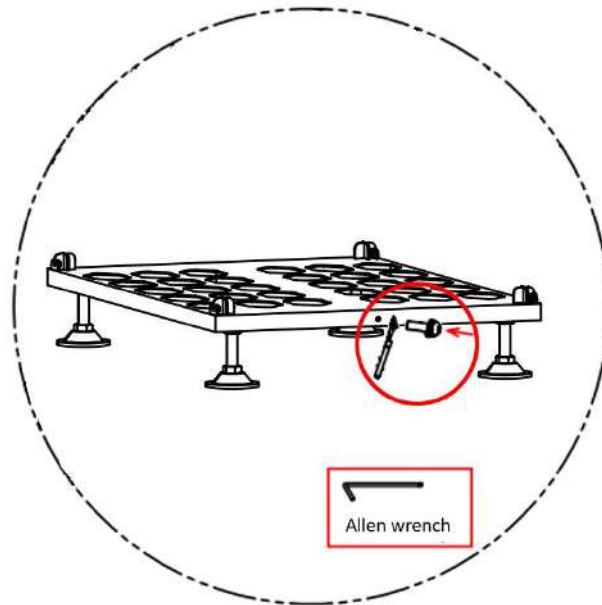


**CAUTION**

Remember that this battery is heavy! Please be careful when lifting out from the package.

## 4.9.1 Cable connection

### 1. Grounding description



Connect one end of the ground cable to the cluster rack and the other end to the ground bar at the installation site.

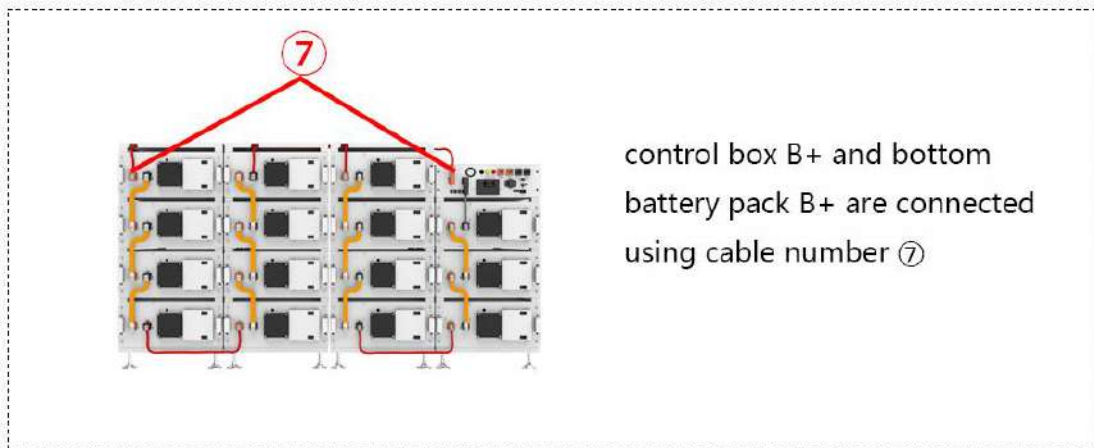
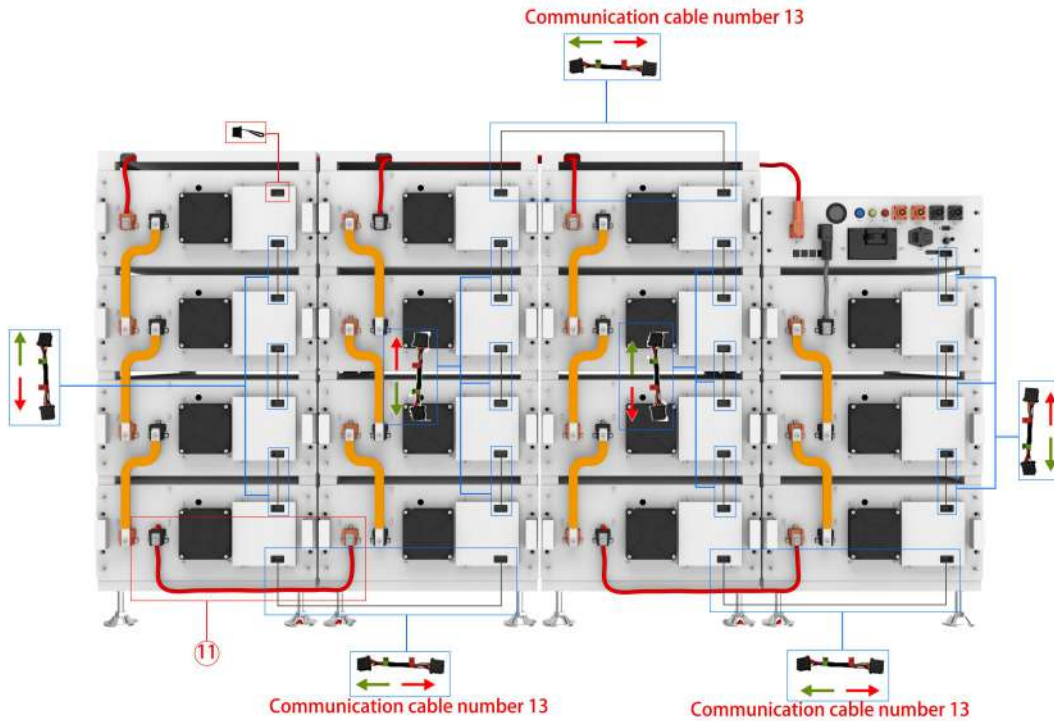
## 4.9.2 Battery installation cable Description

When connecting cables, observe the installation diagram and pay attention to the direction of the communication cables. Otherwise, the products may not work properly due to incorrect cable installation.

When connecting copper wire with high voltage, must be electrical professional operators with insulation gloves before operation.

- Between the battery pack B+ and B- connect with the No. ③ cable in the battery pack.
- Control box Connect B+ to battery pack B+ using cable ⑤ in the accessory bag.
- The connection between the high voltage box and the battery pack is 250MM cable in No. ④, and the connection between the battery pack and the battery pack is 160mm cable in No. ④ in the accessory bag.
- The ground cable between the high voltage box and the battery and between the battery and the battery is the No. ⑮ ground cable.

- The communication cable connecting one cluster battery rack to another cluster battery rack is the ⑬ communication cable in the accessory bag.
- The power cable between a battery cluster and a battery cluster is the ⑪ cable.



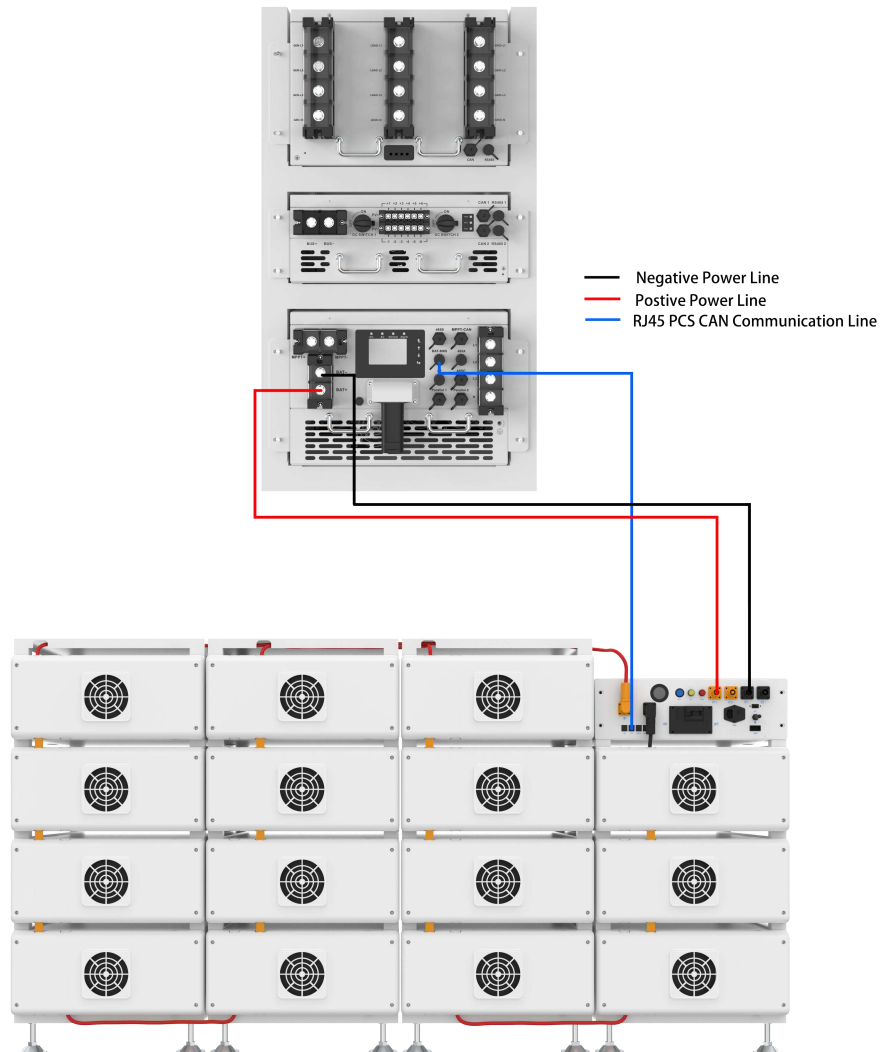
#### 4.10 Battery cluster connected to inverter

For the Australian Market, an over-current protection and isolation device that isolates both positive and negative conductors simultaneously is required between the battery system and inverter.

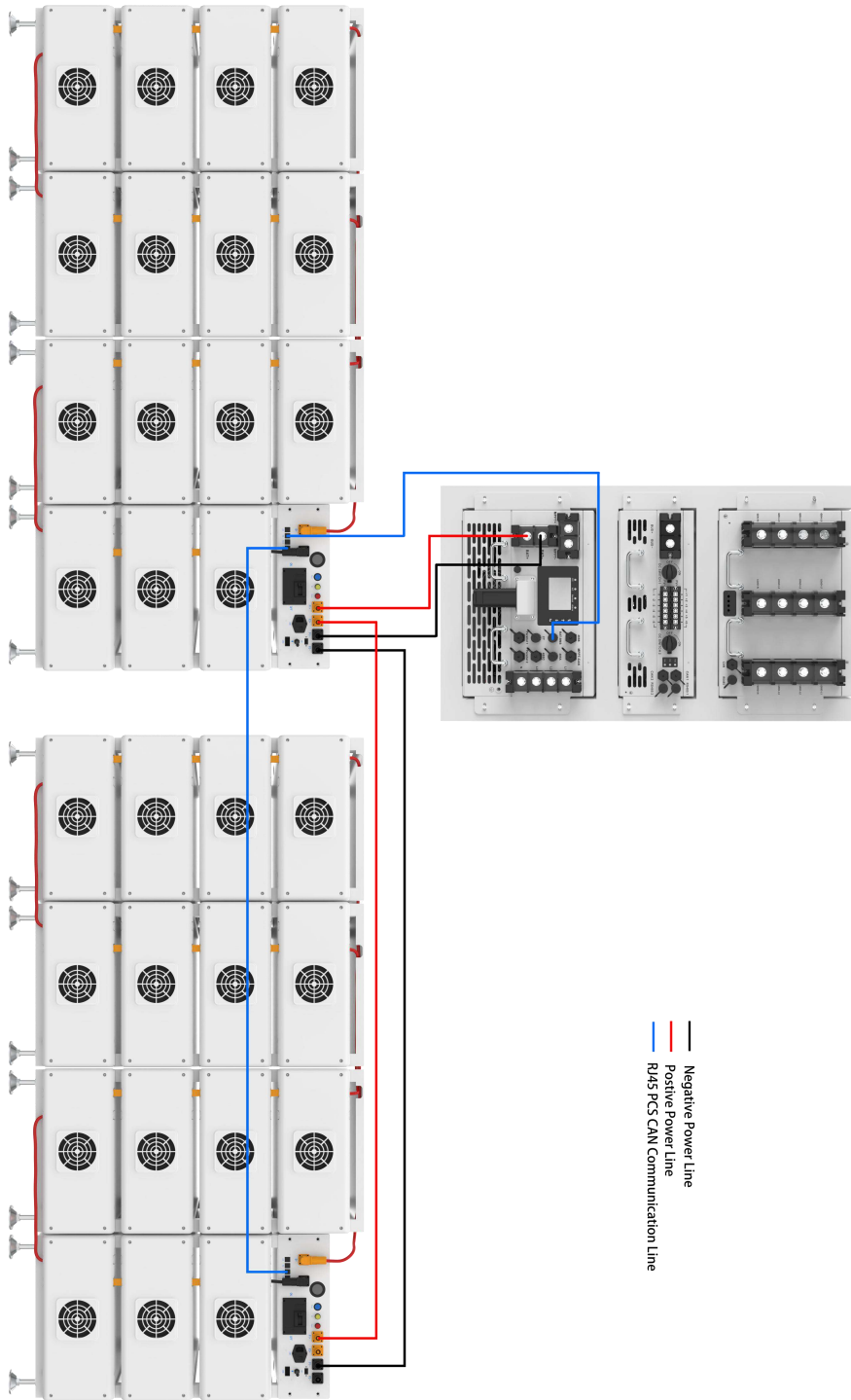
## Battery cluster connected to inverter

Notice: The length of the communication line between the inverter and the battery should not exceed 30m.

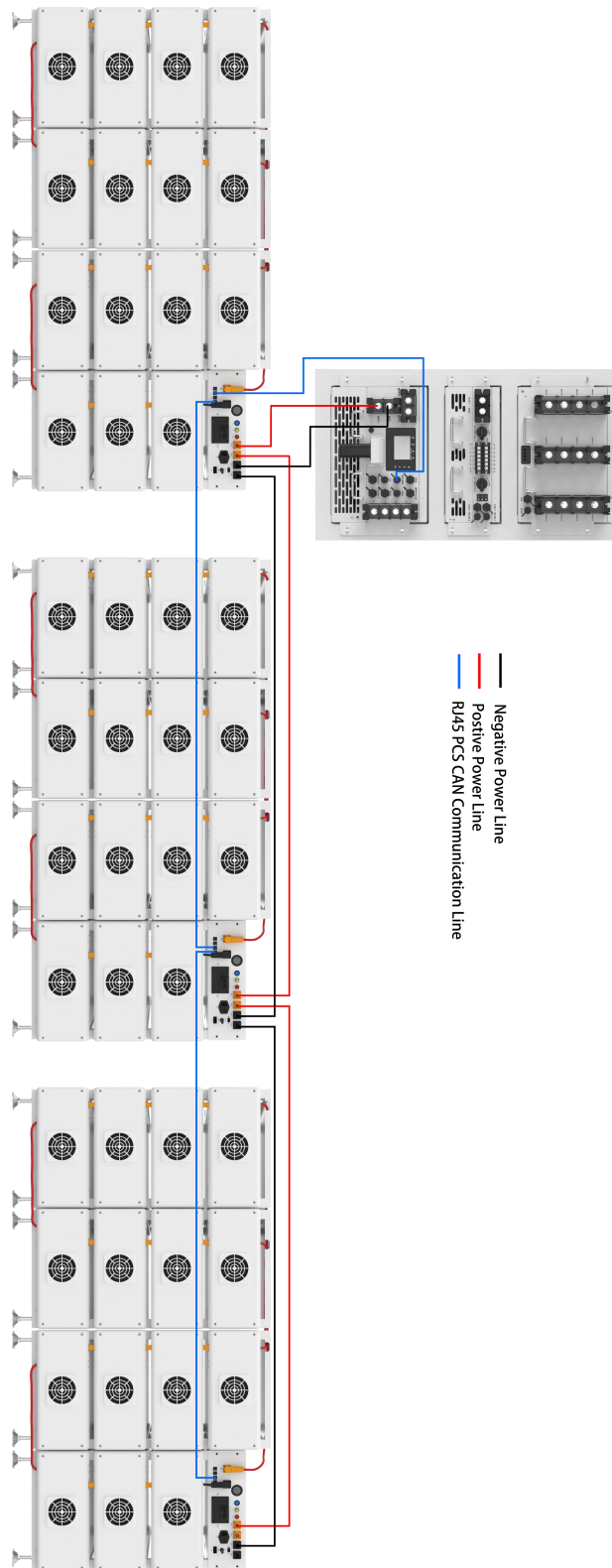
## Single battery cluster connected to inverter



## Two battery clusters connected to the inverter



### Three battery clusters connected to the inverter



## 4.11 System startup and shutdown

### Startup procedure

- 1) After connecting the battery cables, press the air switch button on the high-voltage control box to turn OFF to ON.
- 2) Press the start button and wait for the screen to light up.
- 3) Complete boot

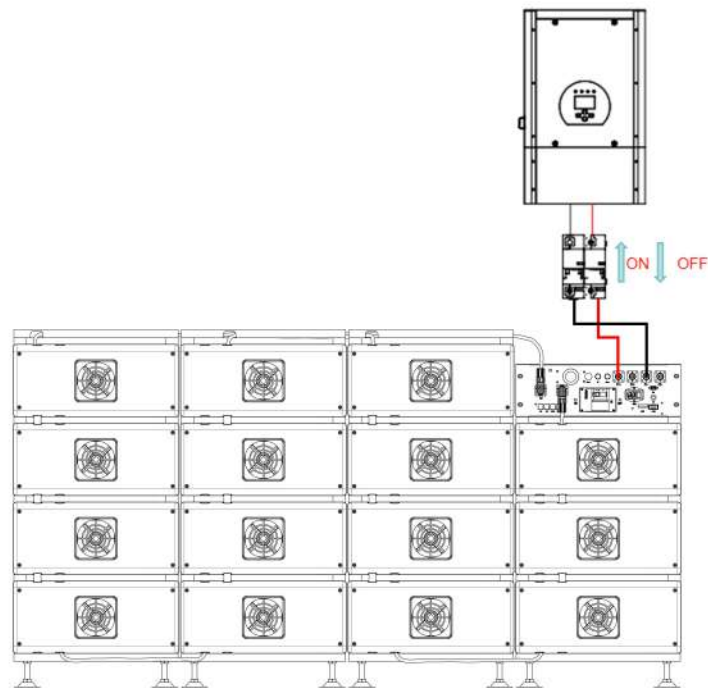
### Shutdown procedure

- 1) Press the start button again and wait for the screen to go off.
- 2) Press the air switch button ON the high voltage control box and set the "ON" to the "OFF" position.
- 3) Complete shutdown

Description of external circuit breakers between inverter and battery system

Turn on the circuit breaker and then start the battery pack.

Turn off the circuit breaker after the battery pack is closed.



## 4.12 How to use local mode with BOS-B (Battery)?

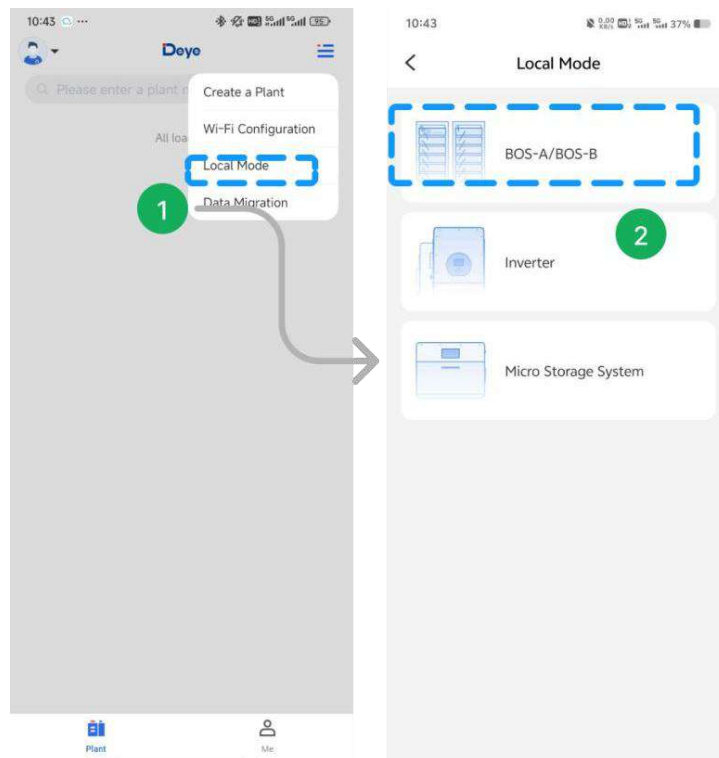
Scan QR code and download the Bluetooth APP. After downloading the APP, please follow the steps below to complete the operation.



**Note:** The procedure on APP for controlling BOS-A is similar to that for BOS-B. The following steps take BOS-A as a example.

Step 1: Log into the APP and select “Local Mode” .

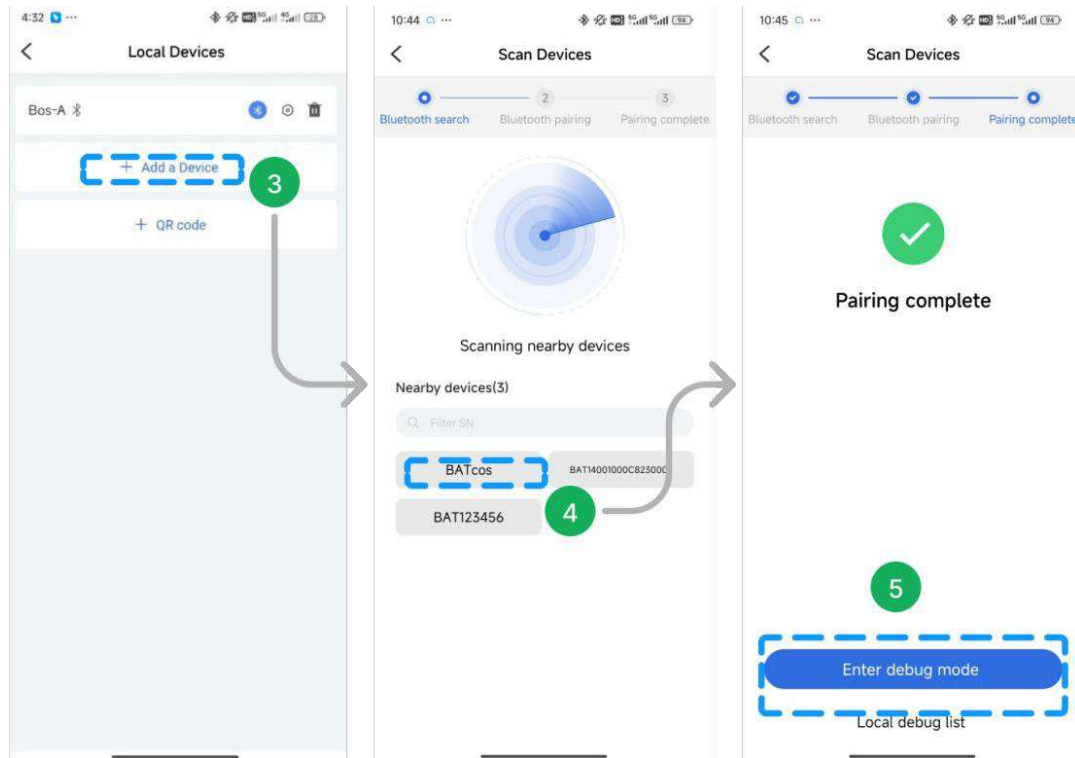
Step 2: Select the device type ——Battery.



Step 3: Tap on “Add a Device”.

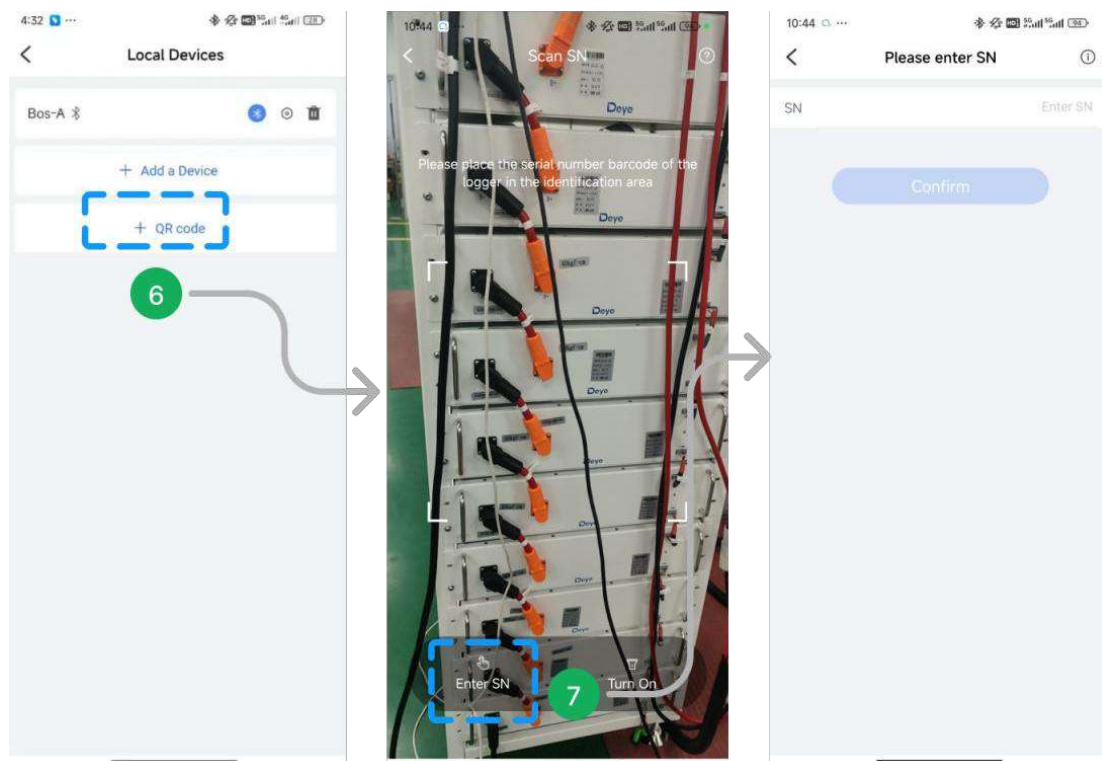
Step 4: Searching for nearby device via Bluetooth, tap on the device for Local Mode.

Step 5: Pairing complete, tap on “Enter debug mode” to view its’ data.

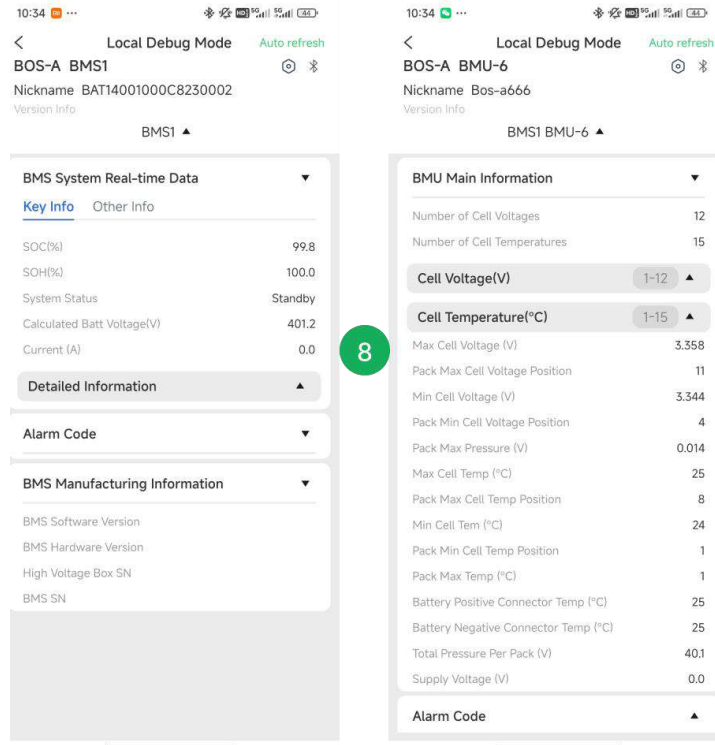


Step 6: Except the Bluetooth Mode, Adding SN support Scan QR code.

Step 7: User could also tap on “Enter SN”to add SN.



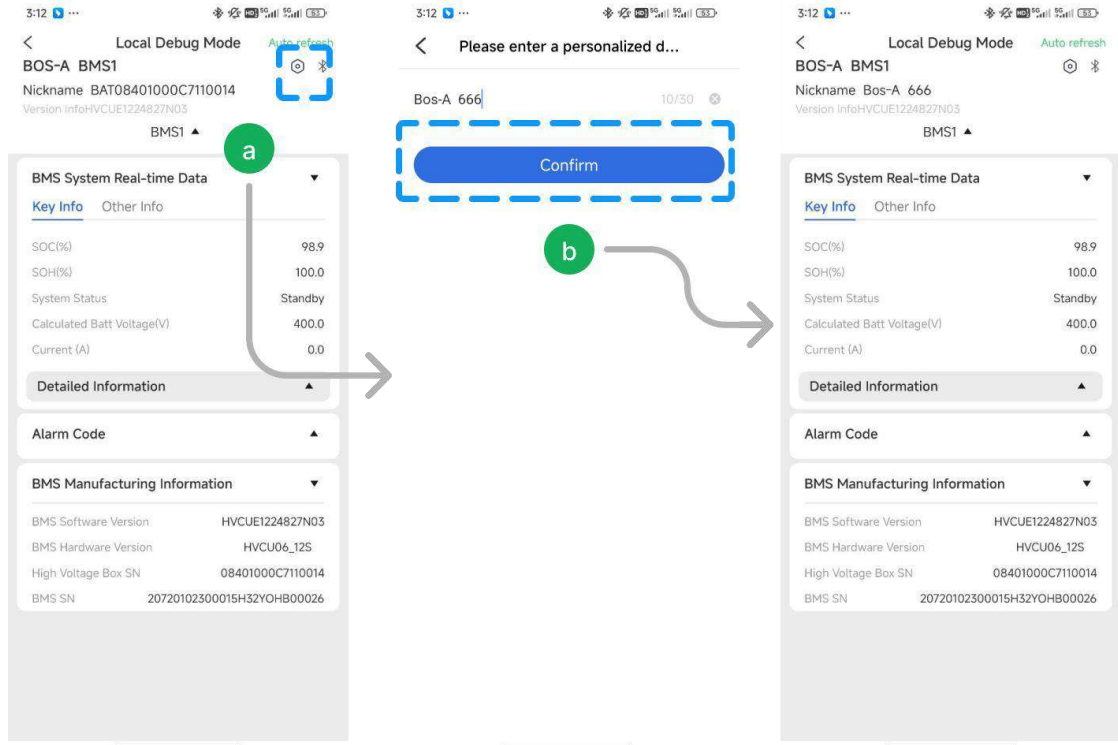
Step 8: Detailed information of the battery could be viewed in the Local Mode, such as BMS, Alarm and BMU etc.



## How to personalize the BOS-B name?

Step a: Tap on the upper right corner can edit Nickname.

Step b: Enter the new name and tap on “Confirm”. The interface will display the changed name



## 5. BOS-B' fault description

Different types of faults are below:

	Fault types	Trigger conditions
System faults	Charge over-current alarm	Exceeding the parameter set value and set time (More than 168A, 2min; more than 200A, 5s; more than 224A, 2s)
	Charge over-current protection	
	Discharge over-current alarm	
	Discharge over-current protection	
	Charge overtemperature alarm	Exceeding the parameter set value and set time (>50°C, 2s)
	Charge overtemperature protection	Exceeding the parameter set value and set time (>60°C, 2s)
	Discharge	Exceeding the parameter set value and set time

overtemperature alarm	(>50°C, 2s)
Discharge overtemperature protection	Exceeding the parameter set value and set time (>60°C, 2s)
Charge under temperature alarm	Exceeding the parameter set value and set time (<5°C, 2s)
Charge under temperature protection	Exceeding the parameter set value and set time (<0°C, 2s)
Discharge under temperature alarm	Exceeding the parameter set value and set time (<-10°C, 2s)
Discharge under temperature protection	Exceeding the parameter set value and set time (<-20 °C, 2s)
Excessive differential voltage alarm	Exceeding the parameter set value and set time (>500mv, 2s)
Excessive differential voltage protection	Exceeding the parameter set value and set time (>800mv, 2s)
Excessive differential temperature alarm	Exceeding the parameter set value and set time (>10°C, 2s)
Excessive differential temperature protection	Exceeding the parameter set value and set time (>15°C, 2s)
Cell overvoltage alarm	To maintain consistency, cut off the charging immediately when the full charge calibration rated voltage of 3.6V is reached. When the voltage drops to 3.35V, restart it with the turned-off red light indicator. All protective red light indicators are always on!
Cell overvoltage protection	
Cell undervoltage alarm	
Cell undervoltage protection	
Pre-charge resistor overtemperature alarm	Exceeding the parameter set value and set time (>55°C, 2s)
Pre-charge resistor overtemperature protection	Exceeding the parameter set value and set time (>85°C, 2s)
Insulation level 1	Exceeding the parameter set value and set time
Insulation level 2	Exceeding the parameter set value and set time
BMS connector	Exceeding the parameter set value and set time

	overtemperature alarm	
	BMS connector overtemperature protection	Exceeding the parameter set value and set time
	BMU connector overtemperature alarm	Exceeding the parameter set value and set time
	BMU connector overtemperature protection	Exceeding the parameter set value and set time
	Power loop overtemperature alarm	Exceeding the parameter set value and set time
	Power loop overtemperature protection	Exceeding the parameter set value and set time
	SOC too low	Exceeding the parameter set value and set time
	Total voltage too high alarm	Exceeding the parameter set value and set time
	Total voltage too high protection	Exceeding the parameter set value and set time
	Total voltage too low alarm	Exceeding the parameter set value and set time
	Total voltage too low protection	Exceeding the parameter set value and set time
	Discharge relay adhesion	Relay feedback information state adhesion
	Charge relay adhesion	Relay feedback information state adhesion
	Heating relay adhesion	High voltage is detected after disconnecting the heating relay
	Limit protection	Exceeding the parameter set value and set time
	Abnormal power supply voltage	Exceeding the parameter set value and set time
	Master positive relay adhesion	Relay feedback information state adhesion
	Fuse Blown	No high voltage is detected after the loop relay is closed
	Repeated BMU address fault	BMU with the same number

	INTER-CAN BUS communication failure	Loss of communication between BMS
	PCS-CAN BUS communication failure	The heartbeat message of the inverter is not received for a long time
	RS485 communication failure	Inverter RS485 access is not received for a long time
	Internal total voltage acquisition fault	The difference between the acquired internal total voltage and the accumulated internal total voltage exceeding the set value
	Cell voltage acquisition fault	The cell voltage acquired is 0
	Temperature acquisition failure	The temperature acquired is -40°C
	EEPROM storage failure	EEPROM write failure during self-test
	RTC clock fault	The external RTC failed to enable the charging function
	Pre-charge failure	Pre-charge timeout
	Charging voltage too low	The minimum cell voltage is lower than the set value
	BMU lost	BMU message not received for a long time
	Abnormal number of BMU	The number of BMU addresses is different from the number of set parameters

## 6.BOS-B screen displays the logic

1. After startup, the screen is on for 20 seconds and then off. Each time the touch screen is lit behind the scenes for 20 seconds, and then turned off until the next touch.
2. The first 2s of boot, the screen shows all.
3. The fault code starts from F001 in ascending order.
4. Each fault is displayed for 5s, and then switch to the next fault.
5. If all faults are rectified, keep the previous fault on the screen for 5 seconds and clear the screen.

F001	ALARM_ID_SUM_OVER_VOLT_L EV_2	Overvoltage
F002	ALARM_ID_SUM_LOW_VOLT_LE V_2	The total voltage is too low

F003	ALARM_ID_CHG_OVER_TEMP_L EV_2	Charging temperature is too high
F004	ALARM_ID_DSG_OVER_TEMP_L EV_2	High discharge temperature
F005	ALARM_ID_CHG_LOW_TEMP_LE V_2	The charging temperature is too low
F006	ALARM_ID_DSG_LOW_TEMP_LE V_2	The discharge temperature is too low
F007	ALARM_ID_OVER_DIFF_VOLT_LE V_2	Excessive voltage difference
F008	ALARM_ID_OVER_DIFF_TEMP_L EV_2	Excessive temperature differentials
F009	ALARM_ID_CELL_OVER_VOLT_L EV_2	Cell overvoltage
F010	ALARM_ID_CELL_LOW_VOLT_LE V_2	Cell undervoltage
F011	ALARM_ID_PRE_CHG_RES_OVE R_TEMP_LEV_2	The temperature of the precharge resistance is too high
F012	ALARM_ID_NORTH_CONNECTO R_OVER_TEMP_LEV_2	The temperature of the BMS connector is too high
F013	ALARM_ID_SOUTH_CONNECTO R_OVER_TEMP_LEV_2	The BMU connector temperature is too high.
F014	ALARM_ID_CHG_OVER_CUR_LE V_2	Charging current fault
F015	ALARM_ID_DSG_OVER_CUR_LE V_2	Discharge current fault
F016	ALARM_ID_SOC_OVER_LEV_2	High SOC fault
F017	ALARM_ID_INSULATION_FAILUR E_TWO	Insulation fault
F018	ALARM_ID_HEAT_OVER_TEMP_ LEV_2	The heating film is too high
F019	ALARM_ID_SOC_LOW_LEV_2	The SOC is too low
F020	ALARM_ID_DSG_RELAY_ADHESI ON	The total voltage is too low
F021	ALARM_ID_POS_RELAY_ADHESI ON	Total positive relay bonding
F022	ALARM_ID_CHG_RELAY_ADHESI ON	The charging relay is glued
F023	ALARM_ID_HEAT_RELAY_ADHES ION	The heating relay is glued
F024	ALARM_ID_ULTIMATE_PROTECTI ON	Ultimate protection
F025	ALARM_ID_POWER_SUPPLY_FA	Abnormal supply voltage

	ULT	
F026	ALARM_ID_FUSE_BLOWN	Blown fuse
F027	ALARM_ID_BMU_ADDR_REPEAT	The BMU repeatedly fails
F028	ALARM_ID_BMS_ADDR_REPEAT	The BMS is faulty repeatedly
F029	ALARM_ID_INTERNAL_COMM_ERROR	The internal CAN communication fails
F030	ALARM_ID_PCS_CAN_COMM_FAIL	The PCS CAN communication fails
F031	MBMS_SAM_SIG_ID_PCS_ERROR_STATE	The PCS RS485 communication fails
F032	ALARM_ID_PCS_RS485_COMM_ERROR	The PCS RS485 communication is abnormal
F033	ALARM_ID_FUSE_VOLT_SAMP_ERROR	The FUSE total voltage collection is abnormal
F034	ALARM_ID_BAT_VOLT_SAMP_ERROR	The internal total voltage collection is abnormal
F035	ALARM_ID_MOT_VOLT_SAMP_ERROR	The Mot total voltage collection is abnormal
F036	ALARM_ID_HTP_VOLT_SAMP_ERROR	The total heating voltage collection is abnormal
F037	ALARM_ID_CELL_VOLT_SAMPLE_ERROR	Voltage collection fault
F038	ALARM_ID_TEMP_SAMPLE_ERROR	Temperature acquisition fault
F039	ALARM_ID_CURRENT_SAMPLE_ERROR	Current acquisition fault
F040	ALARM_ID_CURRENT_MODULE_FAULT	Current module fault
F041	ALARM_ID_POS_RELAY_DRIVE_FAULT	Total positive relay drive failure
F042	ALARM_ID_CHG_RELAY_DRIVE_FAULT	Charging relay drive failure
F043	ALARM_ID_DSG_RELAY_DRIVE_FAULT	Discharge relay drive failure
F044	ALARM_ID_HEAT_RELAY_DRIVE_FAULT	Heating relay drive failure
F045	ALARM_ID_EEPROM_ERROR	The EEPROM storage is faulty
F046	ALARM_ID_PRECHARGE_ERROR	The precharge failed
F047	ALARM_ID_CHG_VOLT_LOW	The charging voltage is too low
F048	ALARM_ID_BMU_COMM_ERROR	The BMU communication is faulty
F049	ALARM_ID_BMU_NUMBER_ERROR	The number of BMUs is abnormal

F050	ALARM_ID_MBMS_NTC_BREAKLINE_ERROR	Temperature collection of the BMS connector is abnormal
F051	ALARM_ID_BMU_NTC_BREAKLINE_ERROR	The temperature collection of the BMU connector is abnormal
F052	ALARM_ID_PACK_THERMAL_RUNAWAY	PACK thermal runaway fault
F053	ALARM_ID_PACK_FIRE_FAULT	PACK fire failure
F054	ALARM_ID_TCP_CONNECT_FAIL	TCP connection failure
F055	ALARM_ID_W5500_SPI_COMM_FAIL	The W5500SPI communication fails
F056	ALARM_ID_LC_COMM_LOST	LC communication loss
F057	ALARM_ID_PACK_AFE_COMM_ERROR,	BMU AFE communication fails
F058	ALARM_ID_BLE_INIT_FAULT	Description Bluetooth initialization failed
F059	ALARM_ID_CELL_TYPE_MISMATCH_ERROR	The battery type does not match



**Note: For more information, please contact us. Email:**

**service-ess@deye.com.cn, Service Hotline: +86 0574 8612 0560.**

## 7. Maintenance and upgrade



**Warning!** Improper decommissioning may cause damage to the equipment and/or battery inverter.

Before maintenance, ensure that BOS-B is decommissioned according to relevant provisions.



**Note:** All maintenance work shall comply with local applicable regulations and standards.

**The USB disk port of BOS-B has the functions of upgrading firmware and recording battery data, which can be used as an auxiliary tool.**

## 7.1 Maintenance of BOS-B

To ensure safe operation, all plug connections must be checked. If necessary, relevant operators shall press them back into place at least once a year.

The following inspection or maintenance must be carried out once a year:

- General visual inspection
- Check all tightened electrical connections. Check the tightening torque according to the values in the following table. Loose connections must be retightened to the specified torque.

Connection mode	Tightening torque
High-voltage control box grounding	4.5Nm
Fixing the lug of the high-voltage control box	1.2Nm
Fixing the lug of the battery module	1.2Nm

- Using the monitoring software, check whether the SoC, SoH, battery voltage and temperature of the battery module are abnormal.
- Shut down and restart BOS-B once a year.

Note: If the system is installed in a polluted environment, maintenance and cleaning must be carried out at short intervals.

Note: Clean the battery rack with a dry-cleaning cloth. Ensure that no moisture comes into contact with the battery connections. Do not use solvents.

## 7. Battery Module Storage



- A. To ensure the battery service life, the storage temperature shall be kept between 0°C~35°C.
- B. The battery shall be cycled at least once every 6 months.
- C. To minimize self-discharge in a long storage period, disconnect the battery connection of the high-voltage control box of the DC connecting cable. This will interrupt the use of the 12 V power supply installed in the high-voltage control box and prevent the battery from self-discharging.

## 8. Disposal

For details related to the disposal of battery modules, please contact us. Service Hotline: +86 0574 8612 0560, Email: [service-ess@deye.com.cn](mailto:service-ess@deye.com.cn). For more information, please visit <http://deyeess.com>.

Observe applicable regulations on waste battery disposal. Immediately stop the use of damaged batteries. Please contact your installer or sales partner before disposal. Ensure that the battery is not exposed to moisture or direct sunlight.

 **Attention:**

1. Do not dispose of batteries and rechargeable batteries as domestic waste!

You are legally obliged to return used batteries and rechargeable batteries.

2. Waste batteries may contain pollutants that can damage the environment or your health if improperly stored or handled.

3. Batteries also contain iron, lithium and other important raw materials, which can be recycled.

**For more information, please visit <http://www.deyeess.com>. Do not dispose of batteries as household waste!**



## 9. Legal notice

Installation and Operation Manual for BOS-B

Subject to technical changes.

Deye ESS Technology Co., Ltd

China

### Legal Statement

The information contained in the document is the property of Deye ESS Technology Co., Ltd. D

All information shall not be published in whole or in part without the written permission of Deye ESS Technology Co., Lt.

## 10.EU Declaration of Conformity



Within the scope of the EU directives

Restriction of the use certain hazardous substances 2011 / 65 / EU (ROHS) Radio  
Equipment Directive 2014/53/EU (RED)

NINGBO DEYE ESS TECHNOLOGY CO. , LTD. confirms herewith that the  
products described in this document are in compliance with the fundamental  
requirements and other relevant provisions of the above mentioned directives .